



## Badger-EV

Prairie Machine & Parts | A World Leader in Supplying Underground Mining Equipment

# Innovative Electric Vehicles

## Easy to Adopt electric drive technology

The Badger-EV is a high performance electric 4-wheel drive truck that is built for demanding applications, both above and below ground.



### Operational Features

- Designed "Mine Tough" to handle U/G environments
- 4-Wheel Drive
- Recharge to 65% in an hour, fully charged in two hours (when equipped with 600 Volt charging option)
- Available in regular or crew cab
- Soft riding coil-over suspension
- Rapid Charge\* on crew change and lunch breaks for 24/7 operation

### Safety Features

- Manufactured to Quality Assurance Standard ISO 9001:2008
- Zero emissions
- Certified ROPS
- Certified FOPS\*
- SAHR (Spring Applied Hydraulic Released Brake)\*
- Bright LED Lighting\*
- Back-up Camera\*

### Service / Maintenance Features

- Patented modular drive system provides low cost operation
- Regenerative braking reduces brake wear and maintenance
- Proven Reduction in maintenance & operation costs (compared to diesel equivalent)
- Vehicle Diagnostics Tools\*

\* Optional Feature

# Zero Emissions. Zero Compromises.

## RESPECT THE ENVIRONMENT

- REGENERATIVE BRAKING reduces brake wear and maintenance
- Use waste ENERGY to CHARGE the batteries
- QUIET electric motors
- ZERO Emissions = CLEAN AIR
- SAHR (Spring Applied Hydraulically Released) Brake (Optional)
- ONBOARD CHARGING (600v and more)
- CUSTOMIZED PLUGS (customer selected)



12-Passenger Armadillo



Groundhog

## SAFE AND DEPENDABLE

- 4-WHEEL Drive 1 Ton vehicle
- REGULAR & CREW CAB configurations
- SAFE Lithium Iron Phosphate (LiFePo) Batteries
- ROPS (Roll Over Protection)
- FOPS (Fall Protection - Optional)
- ZERO Fuel Costs

## BUILT TO LAST

- Designed & built for UNDERGROUND MINING
- ROBUST soft riding coil-over suspension
- MODULAR CONTROL SYSTEM (Patented) provides:
  - ▶ LOW Maintenance
  - ▶ INCREASED availability



Badger Crew Cab

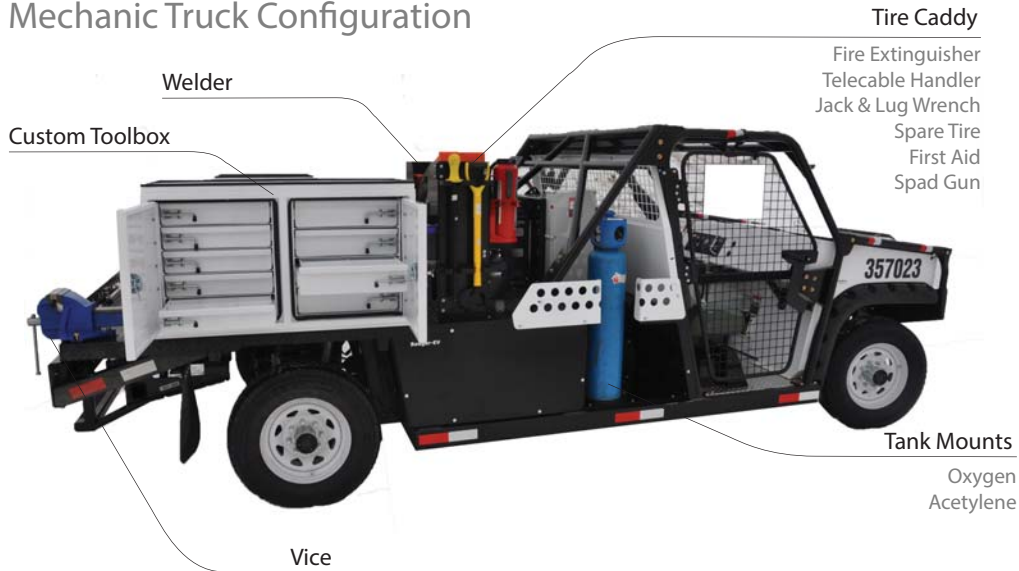
# Customized for each application

## Tailored for your needs

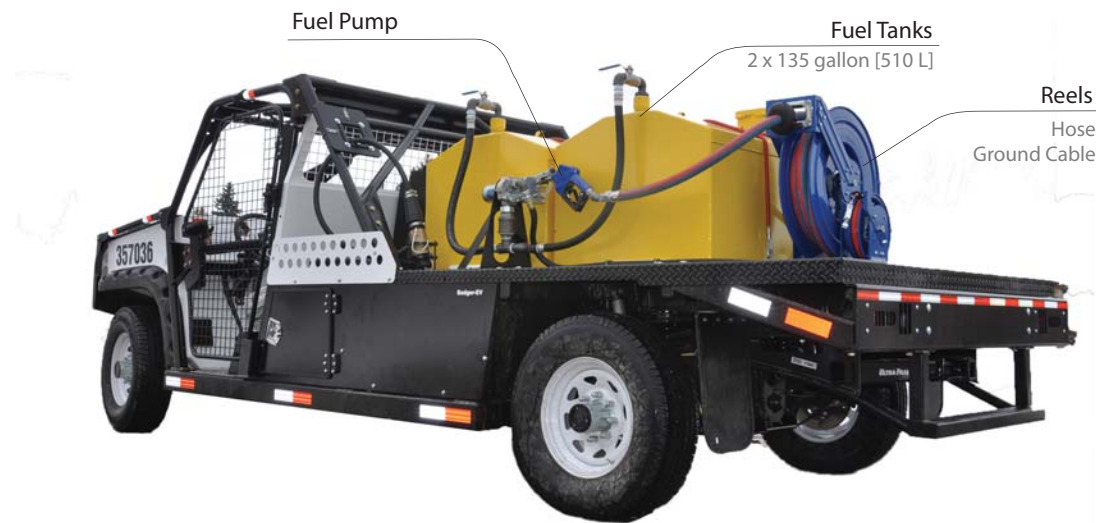
Our electric vehicle designs provide a full spectrum of platforms that can meet the majority of your underground transportation needs. We offer a full product line of electric vehicles: 2,3,6,9, or 12 passenger electric transport, 4x4 electric trucks, and 4x4 electric vehicles custom designed for your needs.

For example the 4x4 Mine Fuel Truck and Welding Truck configuration.

## Mechanic Truck Configuration



## Fuel Truck Configuration



## Deck Configuration Options



# Modular Vehicle Control System

## Master Control Module

- Modular design for serviceability

## Operator Interface

- Protected & sealed for mining environment
- Expandable for future additions
- Intuitive control layout

## Charging Module

- On Board Chargers with every vehicle
- Plugs customized to match your operation

## Battery

- Rapid Charge to 65% in 1-hour
- Safe LiFePo Batteries

## Motor Assembly

- Quiet Electric Motors



## Standard Features

- Mine Duty to operate in mining environments
- Regenerative Braking
- Soft riding coil-over suspension
- ZERO Fuel Costs

## Rugged Construction

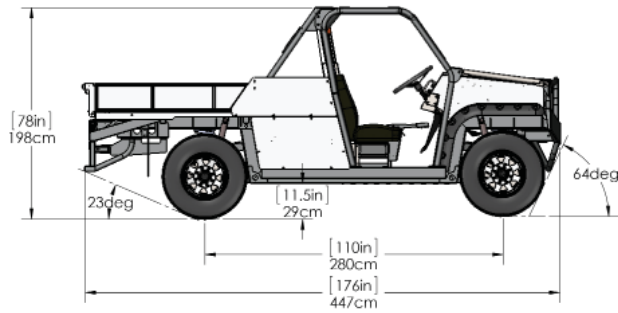
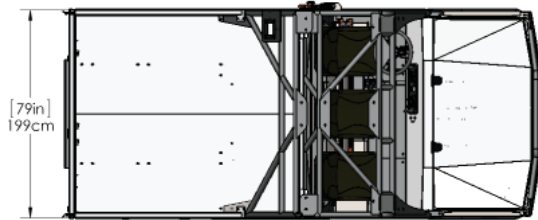
- 4-Wheel Drive 1 Ton vehicle
- Manufactured to Quality Assurance Standard ISO 9001:2008
- Regular & Crew Cab configurations
- ROPS (Roll Over Protection)
- FOPS (Fall Protection - Optional)

## Modular Vehicle Control System

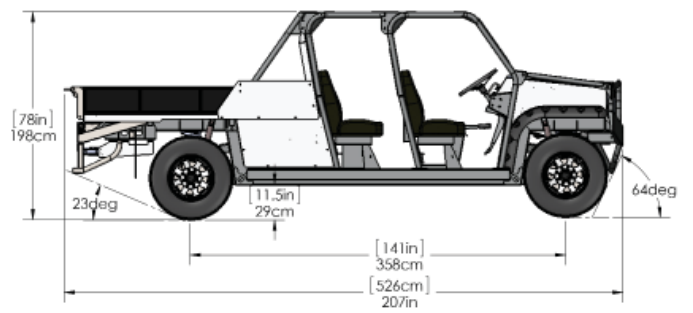
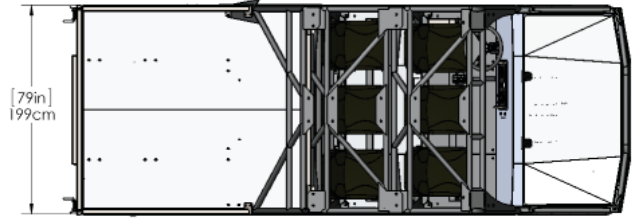
- Low cost operation
- Less downtime for repairs
- Keyed connections - simple installation
- Vehicle diagnostic tools available
- Module Swap Program

# Specifications

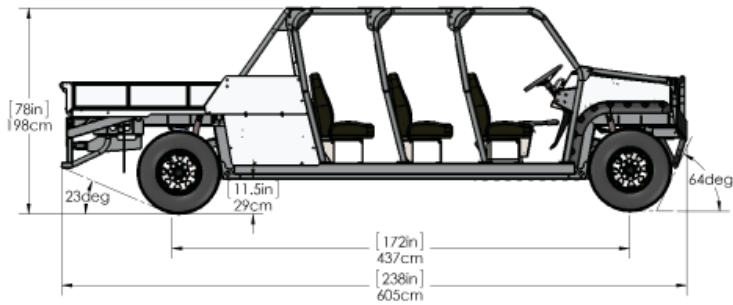
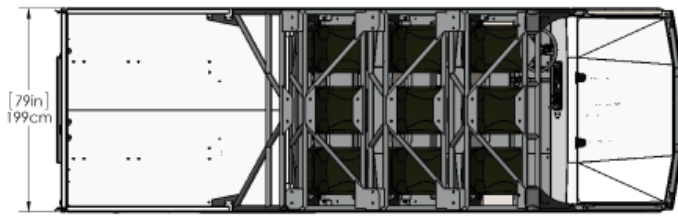
## Badger 110 Regular Cab



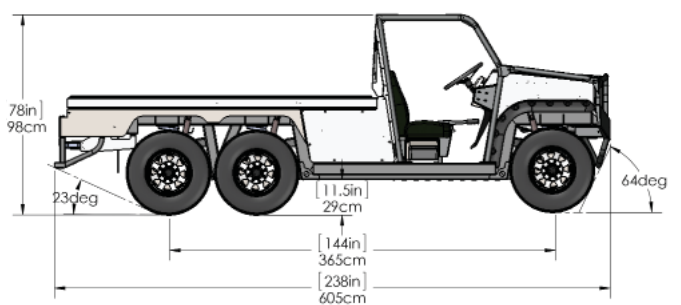
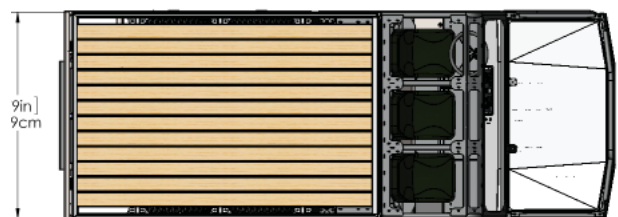
## Badger 141 Crew Cab



## 9-Passenger Armadillo



## Groundhog



# Specifications



## Specifications

	<b>Badger 110</b>	<b>Badger 141</b>	<b>Groundhog</b>	<b>Armadillo</b>
<b>Product Dimensions</b>				
Passengers	Reg Cab 2 or 3 Crew Cab 4 or 6	Reg Cab 2 or 3 Crew Cab 4 or 6	Reg Cab 2 or 3	6,9, or 12
Wheelbase	110 in (280 cm)	141 in (358 cm)	144 in (365 cm)	172 in (437 cm)
Length	176 in (447 cm)	207 in (525 cm)	207 in (525 cm)	238 in (605 cm)
Width	78.5 in (199 cm)	78.5 in (199 cm)	78 in (198 cm)	78.5 in (199 cm)
Height	72 - 78in (180 - 200cm)	72 - 78in (180 - 200cm)	75 in (190 cm)	72 - 78in (180 - 200cm)
Ground Clearance	11.5 in (29 cm)	11.5 in (29 cm)	11.5 in (29 cm)	11.5 in (29 cm)
Turning radius	17 ft (5.2 m)	20 ft (6.1 m)	18.5 ft (5.6 m)	23 ft (7.0 m)
Weight	6000 lbs (2727 kg)	6200 lbs (2818 kg)	7200 lbs (3266 kg)	6500 lbs (2954 kg)
GVWR	10,000 lb (4536 kg)	10,000 lb (4536 kg)	14,400 lb (6532 kg)	10,000 lb (4536 kg)
Tires	P235/85R16	P235/85R16	R245/75R17	P235/85R16
<b>Drive</b>				
Drive	4WD	4WD	6WD	4WD
Max Speed	24 MPH (38 km/h)	24 MPH (38 km/h)	24 MPH (38 km/h)	24 MPH (38 km/h)
Max Range (Unloaded)	75 miles (120 km)	71 miles (115 km)	62 miles (100 km)	68 miles (110 km)
Max Range (Payload)	56 miles (90 km)	56 miles (90 km)	40 miles (65 km)	56 miles (90 km)
Max Payload	4000 lbs (1800 kg)	3800 lbs (1718 kg)	7200 lbs (1582 kg)	3500 lbs (1582 kg)
Max Towing	10,000 lbs (4536 kg)	10,000 lbs (4536 kg)	10,000 lbs (4536 kg)	10,000 lbs (4536 kg)
Power (Peak)	110 hp (82 kW)	110 hp (82 kW)	120 hp (90 kW)	110 hp (82 kW)
Power (Constant)	40 hp (30 kW)	40 hp (30 kW)	60 hp (45 kW)	40 hp (30 kW)
Torque	220 lb*ft (295 Nm)	220 lb*ft (295 Nm)	300 lb*ft (405 Nm)	220 lb*ft (295 Nm)
<b>Electrical</b>				
On-Board charger*	110V - 240V single phase 600V 3 phase option	110V - 240V single phase 600V 3 phase option	110V - 240V single phase 600V 3 phase option	110V - 240V single phase 600V 3 phase option
Charging (Rapid)**	65% in 1 hour Full charge in 2 hours	65% in 1 hour Full charge in 2 hours	65% in 1 hour Full charge in 2 hours	65% in 1 hour Full charge in 2 hours

\* Charging options range from 110V to 600V

\*\* Charge time dependent on charging option chosen

**For more information contact your PM&P representative at 1.888.933.4812**

**ISO** | **9001:2008**  
CERTIFIED

**PMP**

**Prairie Machine & Parts Mfg. Partnership**

3311 Millar Avenue

Saskatoon, SK S7K 5Y5 Canada

888.933.4812

[pmparts.com](http://pmparts.com)