

Angle Station

Prairie Machine & Parts | A World Leader in Supplying Underground Mining Equipment

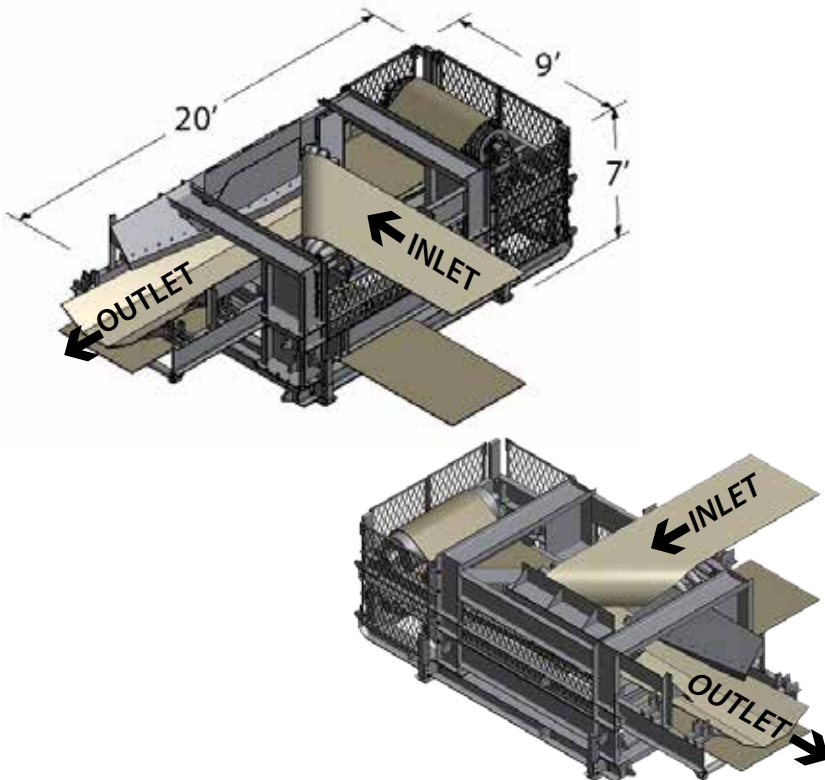
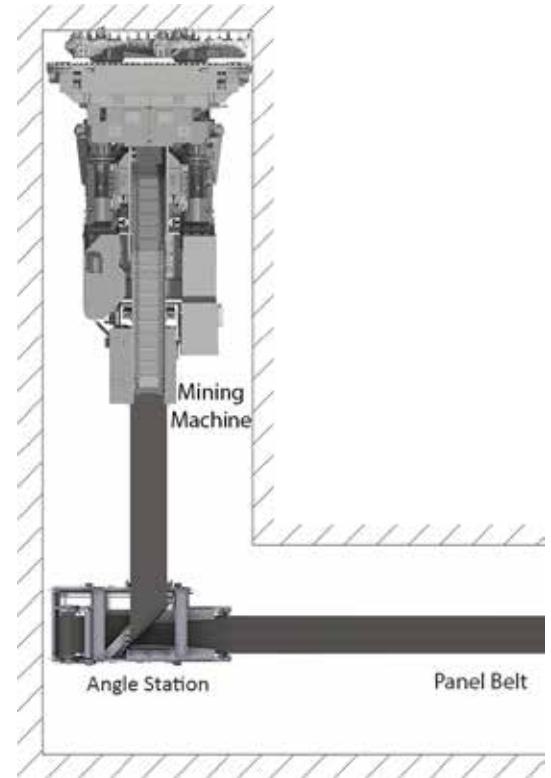
Product Specifications

The PM&P Belt Angle Station is a cost-effective solution which allows you to convey ore around a 90 degree corner without the need to install an additional conveyor drive and take-up.



This simplified design lowers both your capital, and installation costs, by eliminating a conveyor drive and take-up.

Rather than investing in an entirely new conveyor system to convey ore around a corner and out of the mining panel, consider using a PM&P Belt Angle Station. This is a proven, cost-effective solution, that provides the long term reliability and dependability you can expect from any of PMP's products.



Machine Highlights

- Simple, but robust design means repairs are completed quickly, with minimal effort
- Space efficient package, easily moved from one area to the next
- Common off the shelf components minimizes the amount of on-hand inventory required
- The conveyor structure is manufactured using high-strength abrasion-resisting plating
- Designed to fit 48" (1100mm) wide conveyor belt allowing for integration into high production areas
- Safety guards on all moving parts
- Custom additions are available for integration into various belt lines and the Angle Station is easily customized for various applications
- Manufactured to Quality Assurance Standard ISO 9001:2000

Prairie Machine & Parts Mfg. Partnership

3311 Millar Avenue
Saskatoon, SK S7K 5Y5 Canada
888.933.4812
pmparts.com