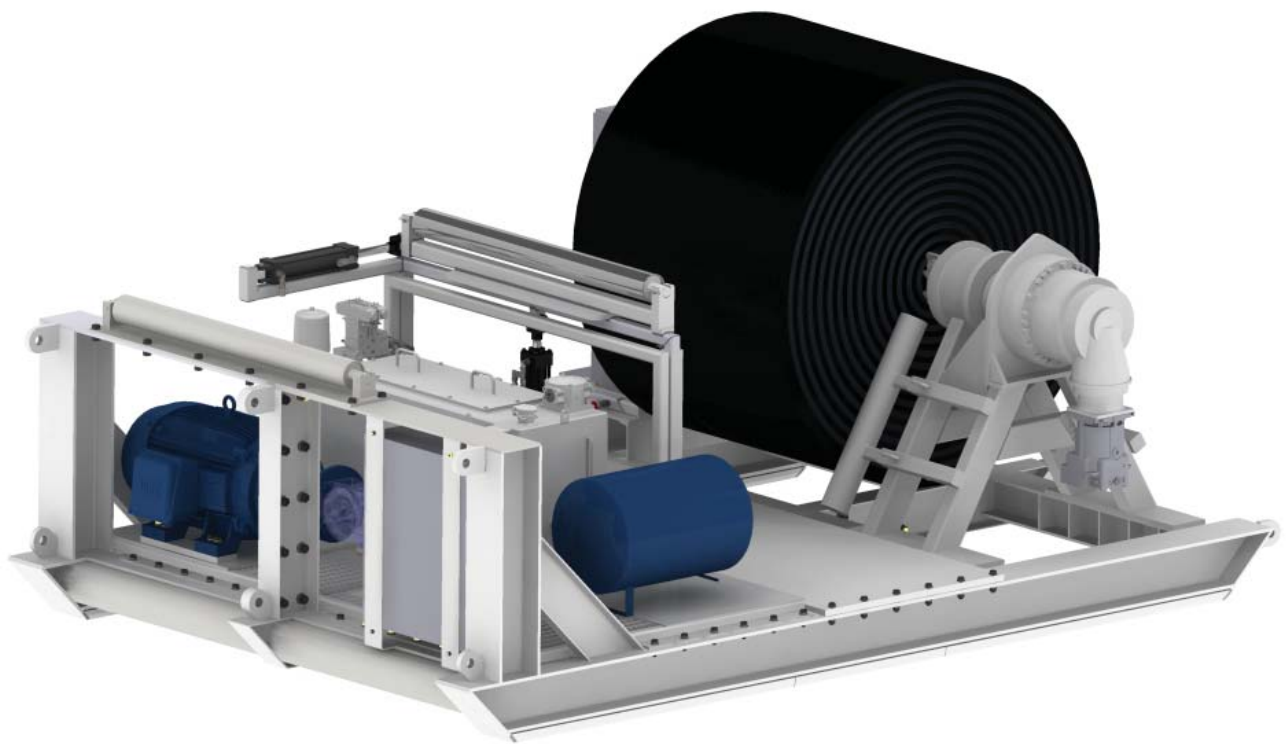


PMP



Belt Winder

Prairie Machine & Parts | A World Leader in Supplying Underground Mining Equipment



Performance & Productivity

BW0110



Product Features

- Low Maintenance
- Large disks keep the belt aligned
- Multiple sources for machine operation
- Externally powered

Technical Specs

Belt Width	42in to 62in (1100mm to 1600mm)
Max Roll Length	400ft (120m) (based on 5/8" thick belt)
Speed	5 RPM

BW0805



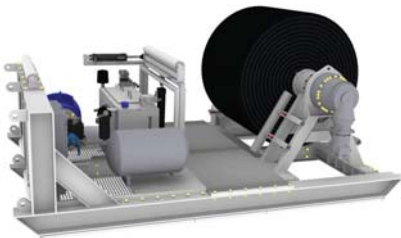
Product Features

- Low Maintenance
- Large disks keep the belt aligned
- Multiple sources for machine operation
- Integrated Power Pack

Technical Specs

Installed Power	30HP
Belt Width	42in to 62in (1100mm to 1600mm)
Max Roll Length	400ft (120m) (based on 5/8" thick belt)
Speed	5 RPM

BW0612



Product Features

- Integrated Power Pack
- Built-in air compressor
- Retracts belt 3-times faster than the BW0110 and BW0805
- Optional Belt Clamp holds belt in position during maintenance

Technical Specs

Installed Power	75HP
Belt Width	42in to 62in (1100mm to 1600mm)
Max Roll Length	450ft (135m) (based on 5/8" thick belt)
Speed	5 RPM

BW0796



Product Features

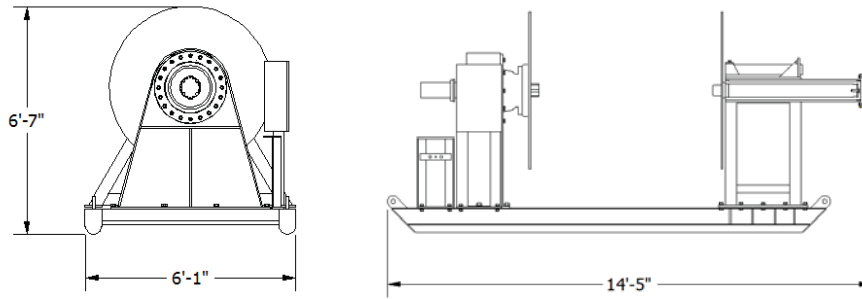
- Externally Powered
- Ergonomic Work Platform
- Rotatable Spool Frame for easy removal / replacement of the spool
- Belt Clamp holds belt in position during maintenance

Technical Specs

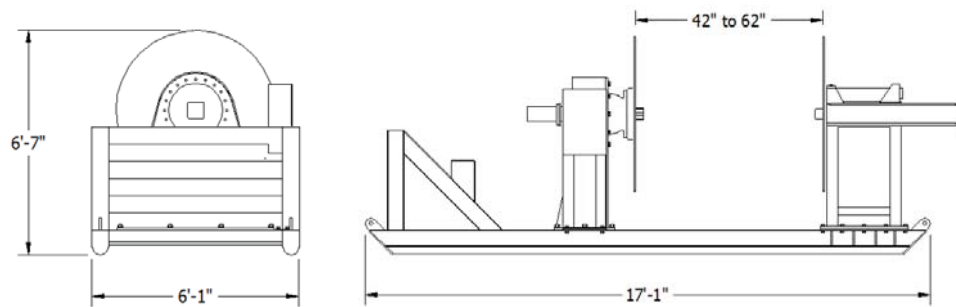
Belt Width	42in to 62in (1050mm to 1575mm)
Max Roll Length	400ft (120m) (based on 5/8" thick belt)
Speed	5 RPM
Belt Clamp	Included

Product Specifications

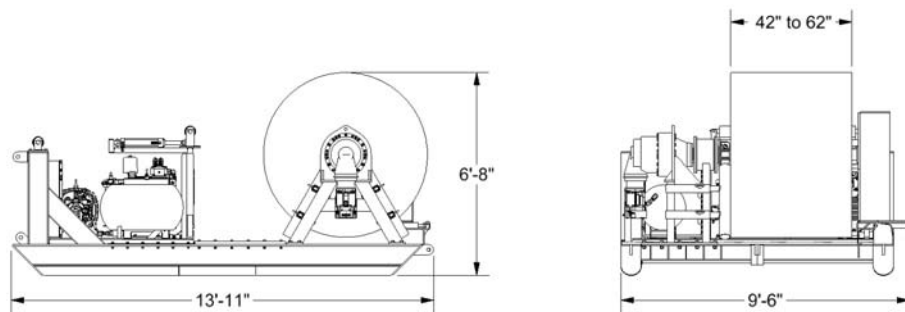
BW0110



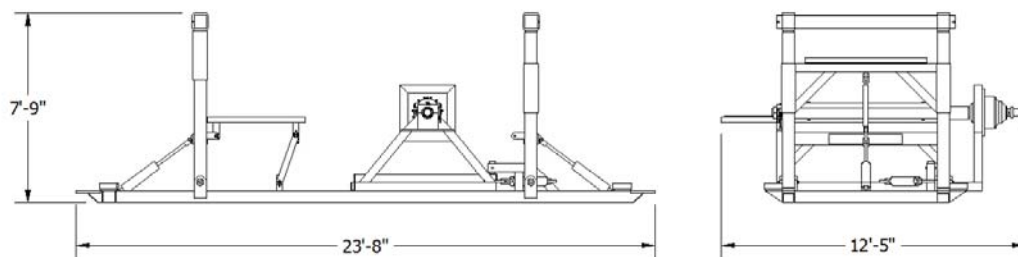
BW0805



BW0612



BW0796



ISO | **9001:2008**
CERTIFIED

PMP

Prairie Machine & Parts Mfg. Partnership

3311 Millar Avenue

Saskatoon, SK S7K 5Y5 Canada

888.933.4812

pmparts.com